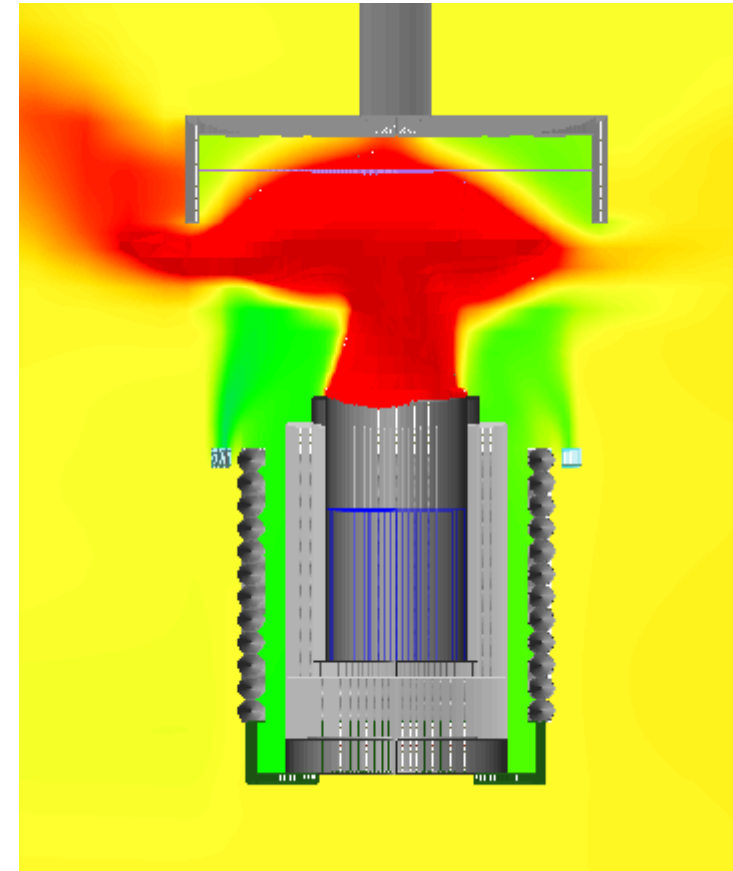
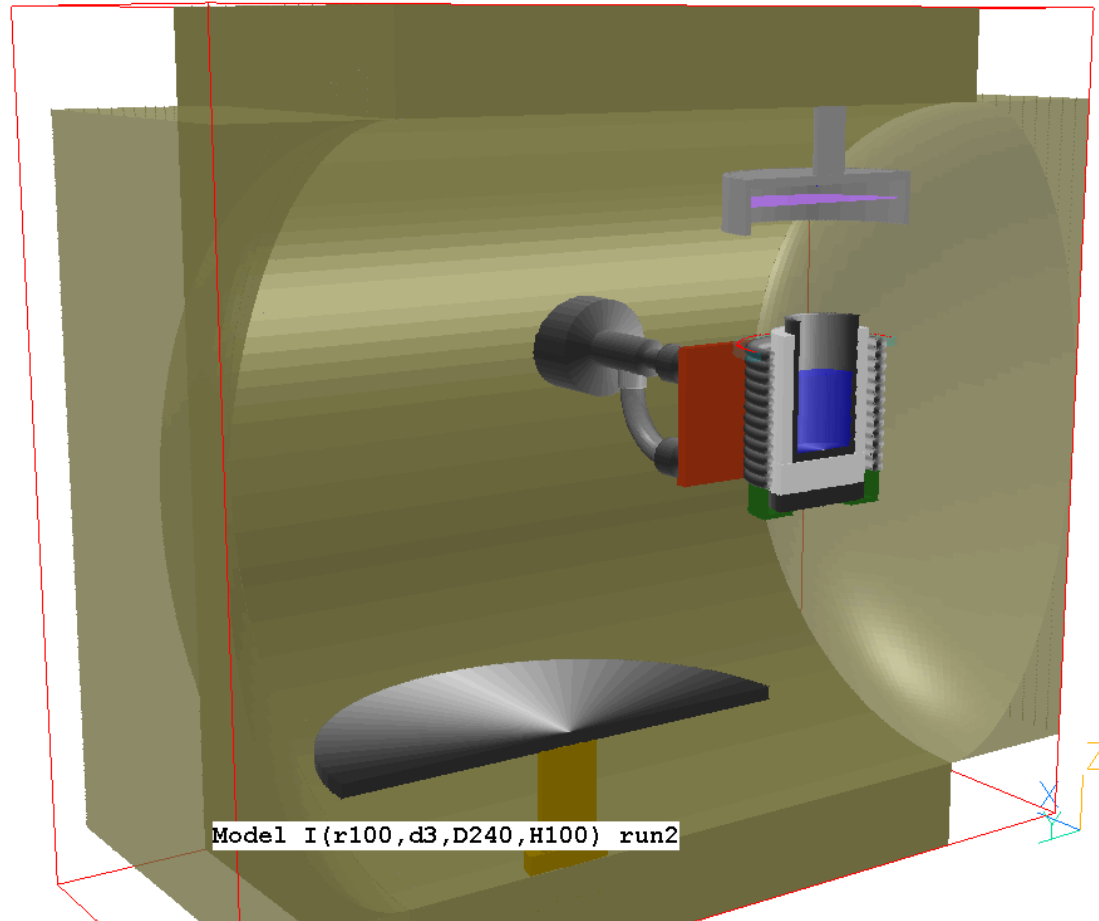


METAL Melting furnace

PHOENICS Case Study



Vapor concentration

