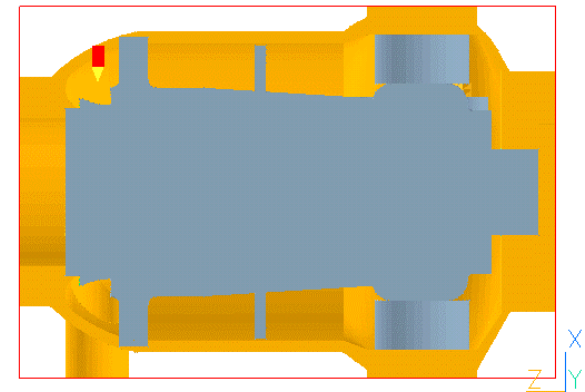
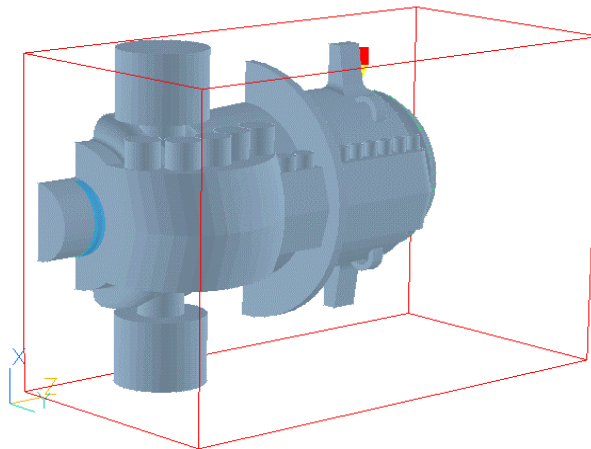
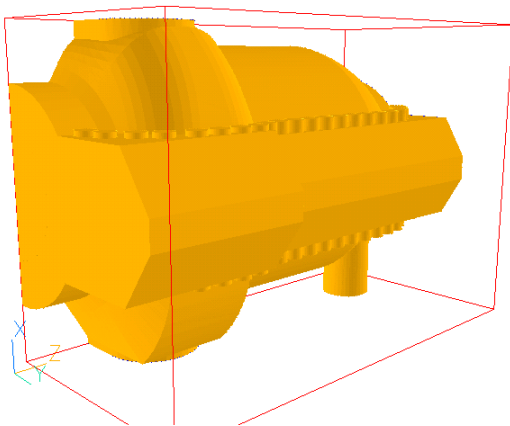


Transient simulation in a vapor turbine

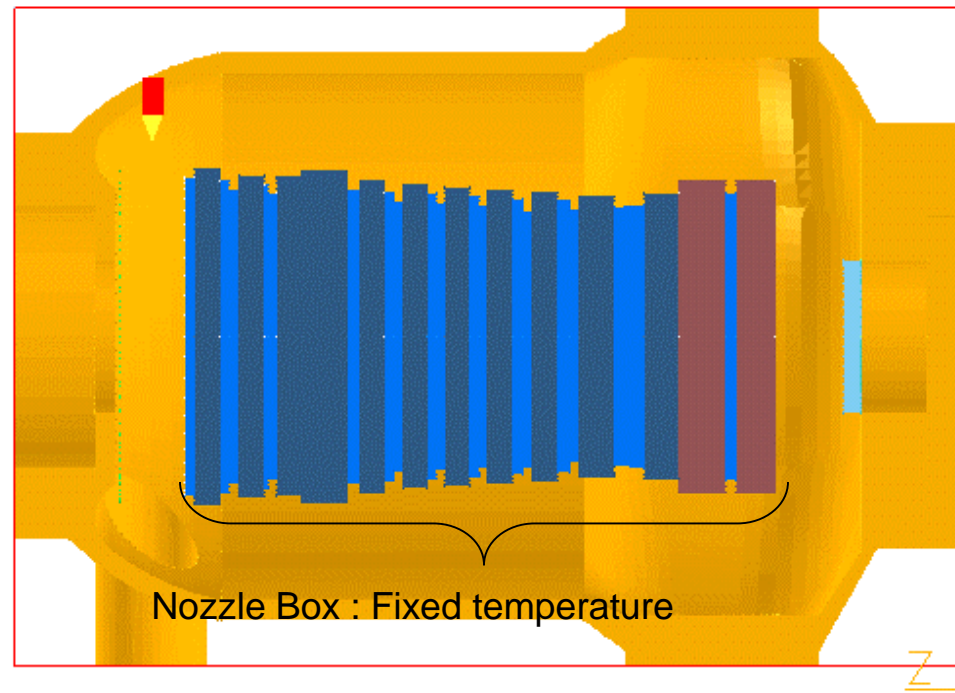
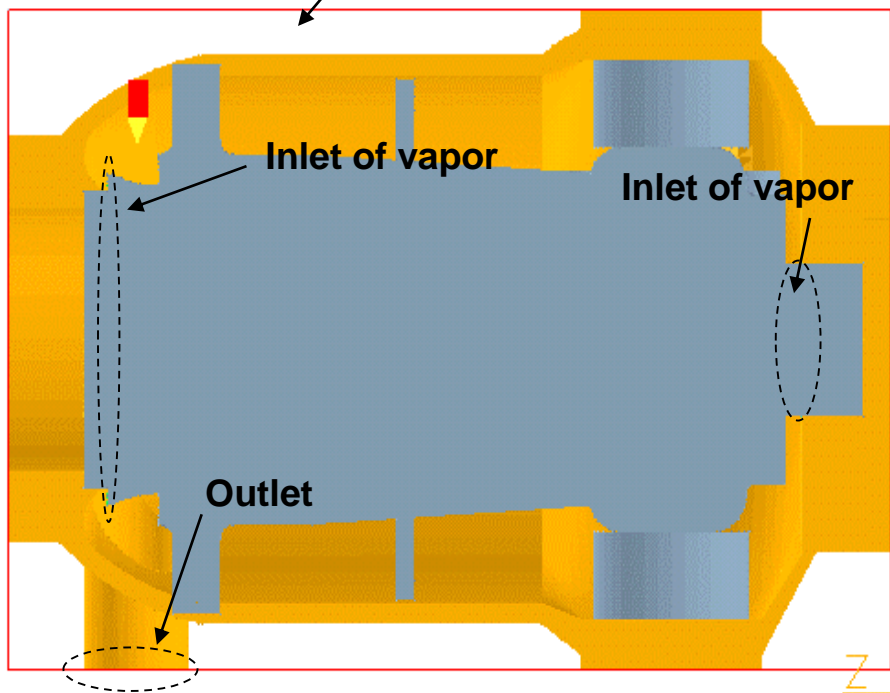
PHOENICS Version : 3.5.0

DETAILS :

- Cartesian grid
- Three-Dimensional transient flow
- $NX*NY*NZ=222 \times 218 \times 98=4,742,808$



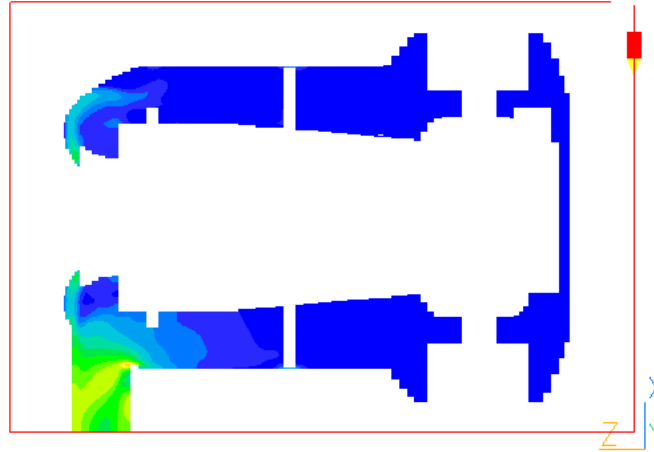
Air :Fixed temperature



RESULT

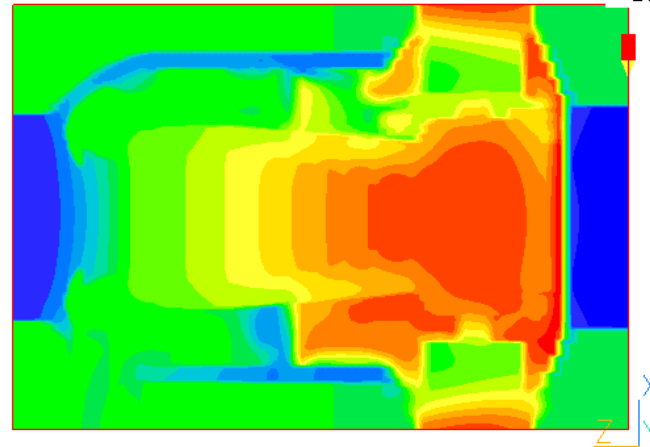
Velocity
6.267E+01
5.850E+01
5.432E+01
5.014E+01
4.596E+01
4.178E+01
3.760E+01
3.343E+01
2.925E+01
2.507E+01
2.089E+01
1.671E+01
1.253E+01
8.357E+00
4.178E+00
0.000E+00

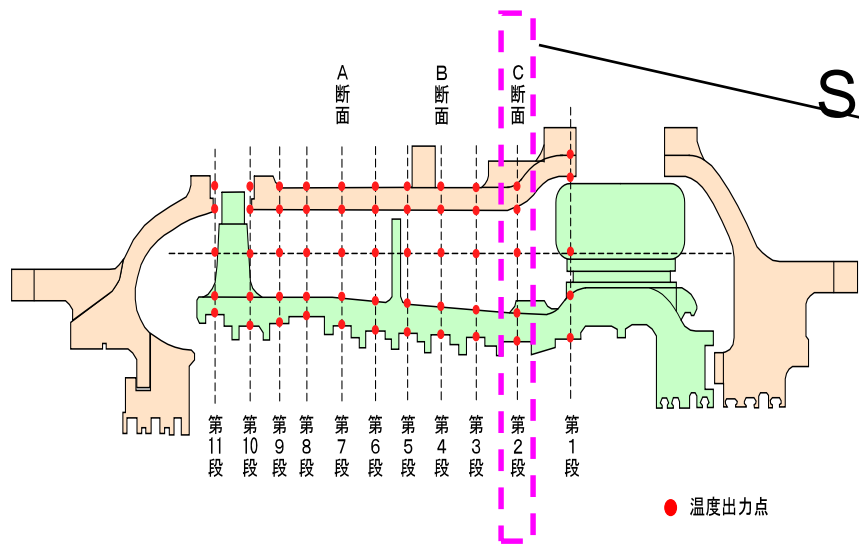
Time 7.200E+03
Probe value
0.000E+00
Average value
5.981E+00



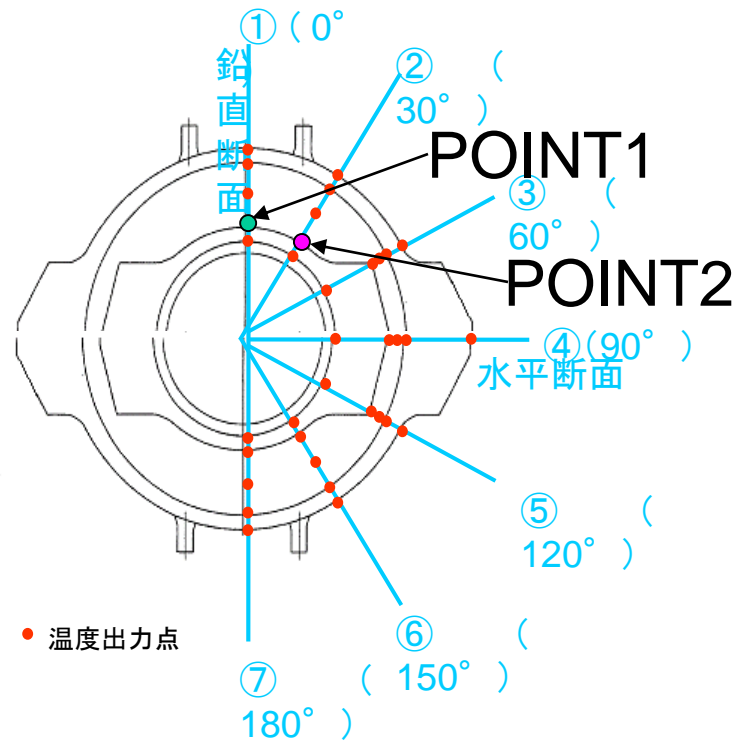
Temperature
3.845E+02
3.650E+02
3.454E+02
3.258E+02
3.062E+02
2.866E+02
2.670E+02
2.474E+02
2.278E+02
2.082E+02
1.887E+02
1.691E+02
1.495E+02
1.299E+02
1.103E+02
9.071E+01

Time 7.200E+03
Probe value
2.088E+02
Average value
2.473E+02

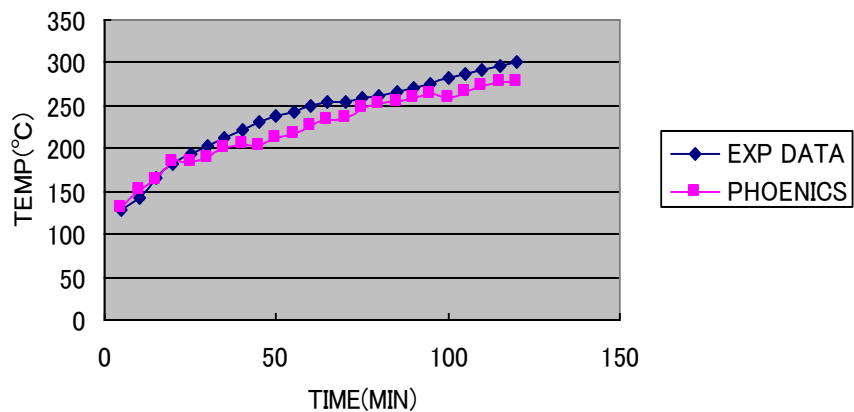




SLICE



SURFACE TEMPRATURE IN POINT1



sSURFACE TEMPRATURE IN POINT2

